



[WWW.MAKOKNGAM.COM](http://WWW.MAKOKNGAM.COM)

## Bilge Pump 3500-8M 12V-12A

Brand: SEAFLO

Model: Bilge Pump 3500-8M 12V-12A



### Product Description

#### Features:

1. The SEAFLO submersible bilge pumps are tough enough for any bilge.
2. High Flow: for use from 22-234L / Min (1.32-14.04 cubic meters / hour)
3. Small size, high efficiency, low current (low cost switching power supply supporting); to achieve a small size perfect combination of high flow
4. Unique automatic "discharge" function can bear the long-term continuous operation under nearly congestion condition
5. Impact resistant ABS housing.
6. Heavy duty motors with stainless steel shafts and tough. thermoplastic bodies
7. Totally submersible and ignition protected.
8. To all existing safety standards.

- 9. Water cooled motors for long life, with anti airlock design and moisture tight seals.
- 10. Snap-lock strainer base for easy installation and removal and silent vibration free running.
- 11. No burn out if runs dry.



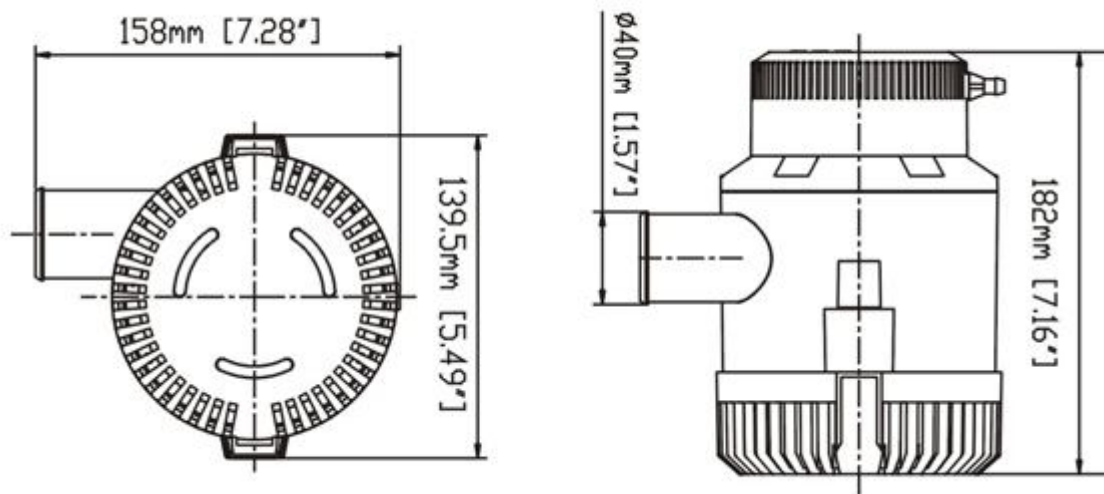
**Application:**

Can be widely used in water sampling, high-volume liquid transfer, low-noise continuous workplace; Large aquarium, small swimming pool, water reservoirs, fountains and many other occasions.

Fresh water, sea water analysis, wastewater treatment, water sampling, water purification, bilge water emissions from ships, breeding ornamental, water cycle transfer, agricultural spraying, irrigation, floors, carpet cleaning, etc.

**Suitable Areas:**

Environmental protection, medicine, shipbuilding, fish farming, industry, agriculture, home economics and other areas.



Model	Flow rate (GPH)	Volts(V)	Current(A)	Head(M)	Wire lead(M)	Outlet Dia	N.W/G.W(KG)
SFBP1-G3500-01	3500GPH	12V	12.0A	8m	1m	40mm/1-1/2"	2.11/2.38kg